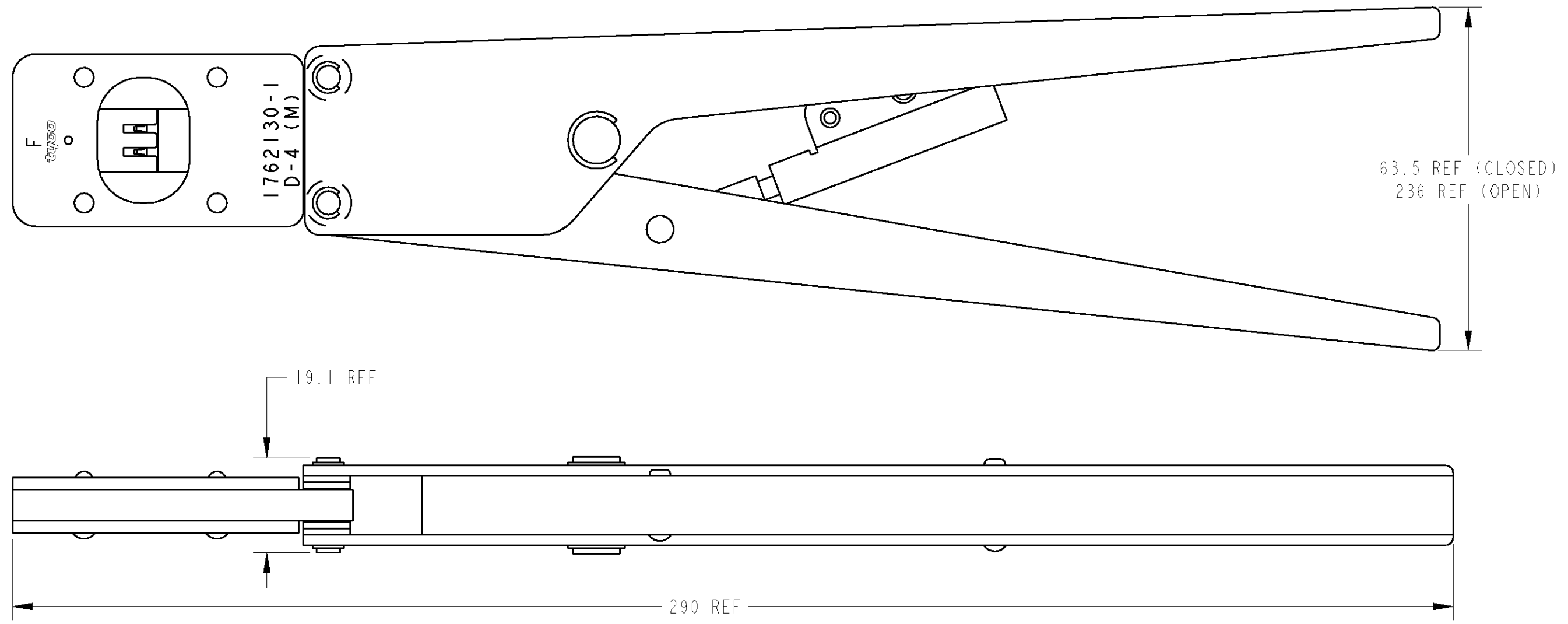


THIS DRAWING IS UNPUBLISHED. RELEASED FOR PUBLICATION 20  
 © COPYRIGHT 20 BY TYCO ELECTRONICS CORPORATION. ALL RIGHTS RESERVED.

LOC	DIST	REVISIONS					
		P	LTR	DESCRIPTION	DATE	DWN	APVD
J	-	0		RELEASED FJC0-0293-04	05-Oct-04	J.K	S.Y

-1: AS SHOWN(本図)



CRIMP SYMBOL	TERMINAL NO	WIRE SIZE AWG(mm <sup>2</sup> )	INS RANGE (mm)	TERMINAL CH(mm)		IS NO	APPL SPEC	WEIGHT (g)
	L.P.			WIRE	INS			
圧着部記号	適用端子型番	電線サイズ	絶縁被覆径	圧着高さ		取扱説明書番号	取付適用規格	重量
	ハ"ラ状			芯線部	被覆部			
A	1747499	#16 (1.23-1.38)	2.0-3.2	1.44-1.60	3.17REF	411-78174	114-5369	550
B	1747501	#14 (2.08-2.18)	2.8-3.75	1.68-1.84	3.7REF			

THIS DRAWING IS A CONTROLLED DOCUMENT FOR TYCO ELECTRONICS CORPORATION IT IS SUBJECT TO CHANGE AND THE CONTROLLING ENGINEERING ORGANIZATION SHOULD BE CONTACTED FOR THE LATEST REVISION.

DIMENSIONS: mm	TOLERANCES UNLESS OTHERWISE SPECIFIED: 0 PLC ± 1 PLC ± 2 PLC ± 3 PLC ± 4 PLC ± ANGLES ±	DWN J.KOGA 05-Oct-04 CHK J.KOGA 05-Oct-04 APVD S.YABE 05-Oct-04 PRODUCT SPEC - APPLICATION SPEC - WEIGHT -	Tyco Electronics AMP K.K. Kawasaki, Japan NAME STRAIGHT ACTION HAND TOOL (Dynamic D4-M Contact, #14-16) SIZE A3 CAGE CODE 00779 DRAWING NO C-1762130 RESTRICTED TO -
MATERIAL	FINISH	CUSTOMER DRAWING	SCALE - SHEET 1 OF 1 REV 0